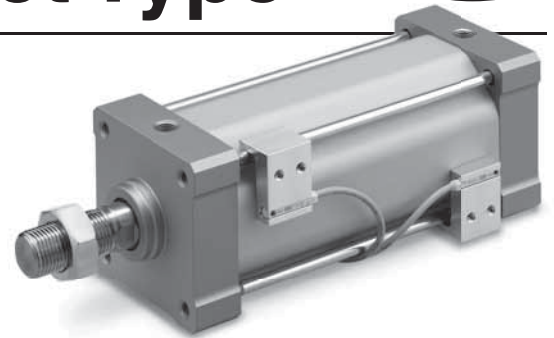


# Air Cylinder/Compact Type

RoHS

Size: 40, 63

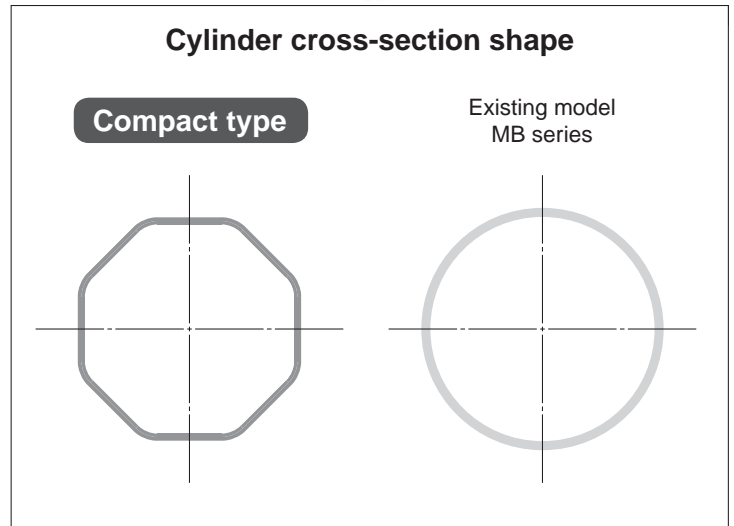
Now, more compact and lightweight due to the adoption of a octagonal piston!



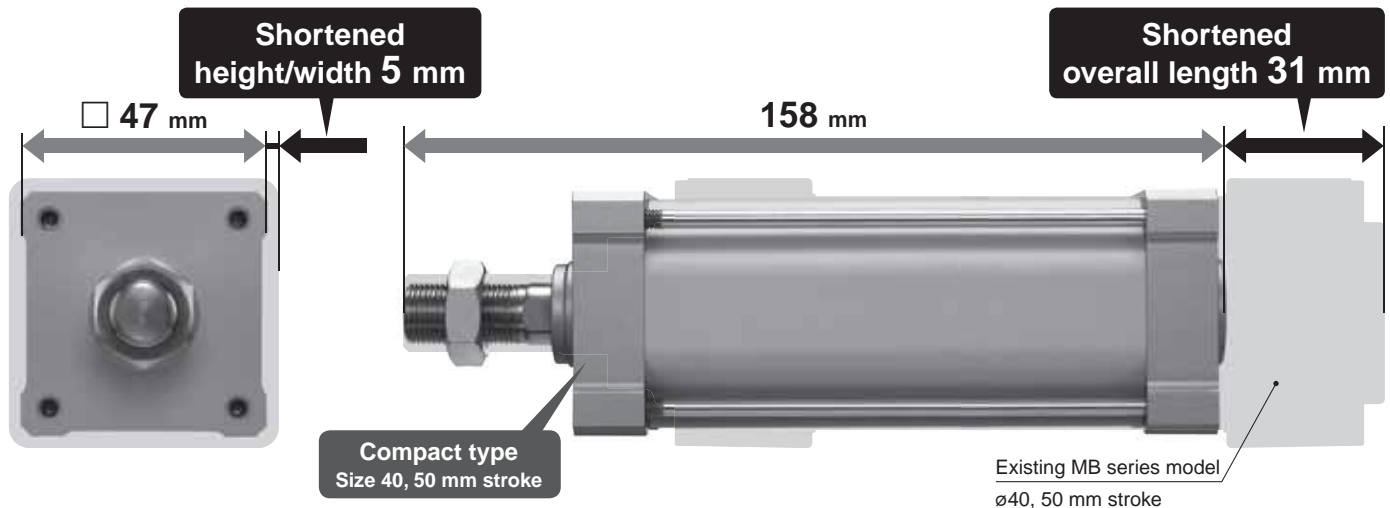
**Weight** **35% reduction**  
750 g → 487 g

**Overall length** **16% reduction**  
189 mm → 158 mm

**Height Width** **10% reduction**  
52 mm → 47 mm

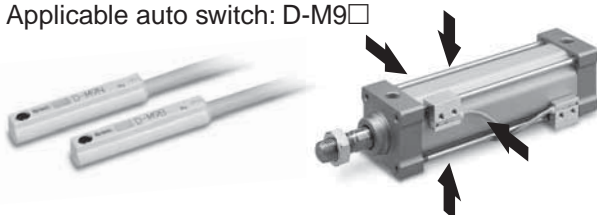


\* Compared with the MB series, ø40, 50 mm stroke



■ Small auto switches can be mounted on 4 surfaces. (Tie-rod mounting)

Applicable auto switch: D-M9□



■ Air cushion adjustment is not required due to the non-adjustable air cushion.

The built-in rubber bumper reduces the metal noise that occurs when the piston stops.

■ Cover shape that prevents foreign matter accumulation

**MB-X3155**



19-E728

# MB-X3155

## Specifications

Size	<b>40</b> (Equiv. ø40 piston area) <b>63</b> (Equiv. ø63 piston area)
Action	Double acting, Single rod
Proof pressure	1.0 MPa
Max. operating pressure	0.7 MPa* <sup>1</sup>
Min. operating pressure	0.05 MPa
Ambient and fluid temperatures	5 to 60°C
Lubrication	Not required (Non-lube)
Piston speed	50 to 500 mm/s* <sup>1</sup>
Stroke length tolerance	$^{+2.0}_0$ mm
Cushion	Non-adjustable air cushion + rubber bumper
Port size	Rc1/8
Stroke	50 to 250 mm (25 mm increments)
Mounting	None (Basic type only)
Allowable kinetic energy	1.2 J      3.4 J


Depending on the system configuration selected, the specified speed may not be satisfied.

\*1 Maximum operating pressure and piston speed are different from the existing product (MB series).

## Standard Strokes

Size	Standard stroke [mm]
<b>40</b>	50, 75, 100, 125, 150,
<b>63</b>	175, 200, 225, 250

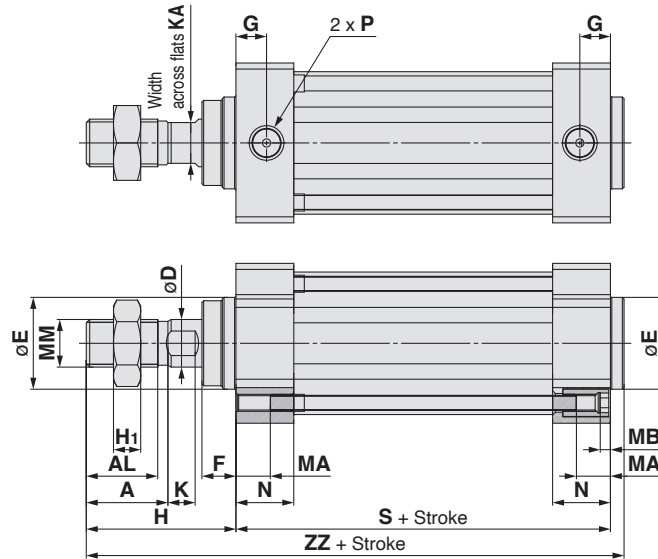
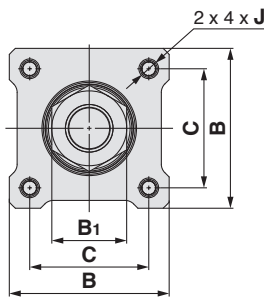
## Theoretical Output



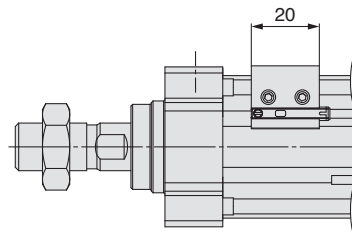
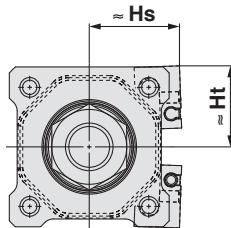
Size	Rod operating direction	Piston area [mm <sup>2</sup> ]	Operating pressure [MPa]						
			0.2	0.3	0.4	0.5	0.6	0.7	
<b>40</b>	IN	1108	222	332	443	554	665	776	
	OUT	1262	252	379	505	631	757	884	
<b>63</b>	IN	2858	572	857	1143	1429	1715	2000	
	OUT	3112	622	934	1245	1556	1867	2178	

\* Theoretical output [N] = Pressure [MPa] x Piston area [mm<sup>2</sup>]

## Dimensions



### Auto switch bracket dimensions



Size	A	AL	B	B1	C	D	E	F	G	H	H1	J	K	KA	MA	MB	MM	N	P	S	ZZ	Hs	Ht
<b>40</b>	24	21	47	22	35	14	27	10	9	44	8	M5 x 0.8	8	12	9	3	M14 x 1.5	17	Rc1/8	60	108	26.5	23.8
<b>63</b>	35	32	69	27	53	18	31	8	11	51	11	M6 x 1.0	7	16	10	3.5	M18 x 1.5	20	Rc1/8	67	122	40.4	32.5



[www.smc.com.mx](http://www.smc.com.mx)

SMC Corporation (México) S.A. de C.V.  
[informacion.tecnica@smcmx.com.mx](mailto:informacion.tecnica@smcmx.com.mx)

© 2020 SMC CORPORATION MEXICO. Derechos Reservados

Todas las especificaciones incluidas en este catálogo están sujetas a cambio sin previo aviso.



TU ALIADO EN AUTOMATIZACIÓN